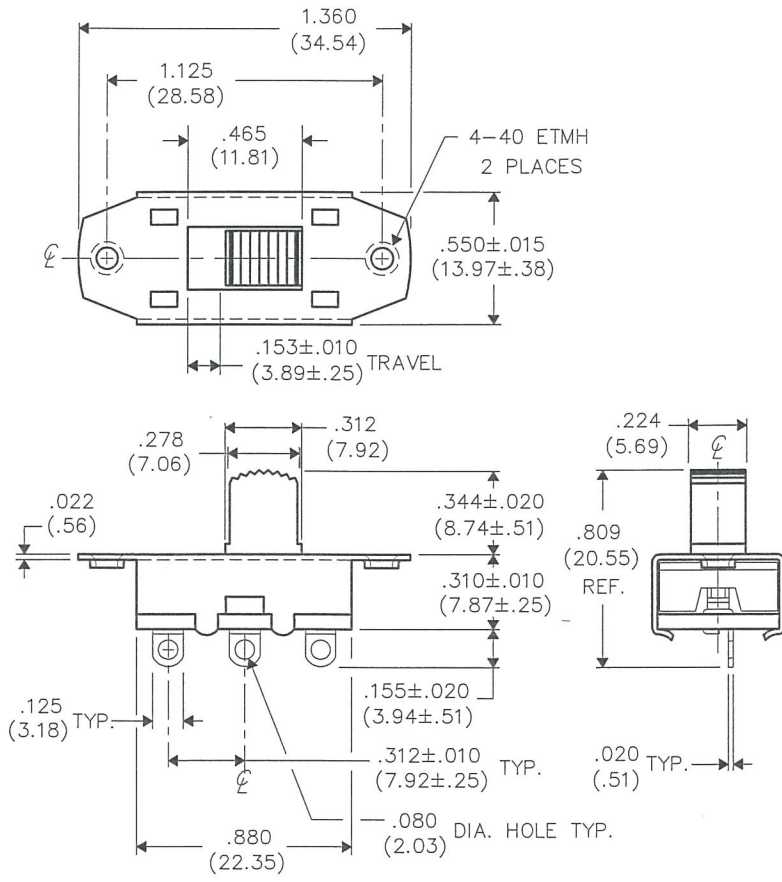


THIS INFORMATION IS CONFIDENTIAL AND PROPRIETARY TO CW INDUSTRIES INCORPORATED AND ITS AFFILIATES. IT MAY NOT BE DISCLOSED TO ANYONE OTHER THAN CW INDUSTRIES PERSONNEL, WITHOUT WRITTEN AUTHORIZATION FROM CW INDUSTRIES INCORPORATED, SOUTHAMPTON, PENNSYLVANIA USA.

DIMENSIONS IN INCHES (MILLIMETERS)  
DO NOT SCALE DRAWING .....

Dwg. No.  
**GF-324-0126**



1 2 3 4 5 6 7 8 9 10

B-FORMAT 2002	<b>REVISIONS</b>	0	RELEASED: DGW 7-09-13 JUL 13 2013		<b>CW INDUSTRIES</b> Southampton, Pa. 18966 TOLERANCES UNLESS OTHERWISE SPECIFIED 2 Place Decimal ±.010 METRIC 3 Place Decimal ±.005 1 Place Dec. ±.25mm Angles ..... ±1' 2 Place Dec. ±.13mm	Title: <b>SWITCH ASSEMBLY</b> S.P. - D.T.		
		Made for: CW IND.					Division: SWITCH	
		Drawn by: DGW 7-09-13					Dwg. No. GF-324-0126	
		Checked by: <i>G. Guld 7-10-13</i>					Approval: <i>G. Guld 7-10-13</i>	

MASTER